



- ✓ Large 57mm digit height
- ✓ Full 5-digit 99999 display
- ✓ DIN-size 288 x 96mm housing
- ✓ Red, green or yellow LED display
- ✓ DC, AC or process signal inputs
- ✓ RTD or thermocouples
- ✓ Freely programmable display
- ✓ Two set point relays (Option)
- ✓ Excitation voltage for sensors
- ✓ Bluetooth configuration (Option)
- ✓ Min-Max memory (Option)
- ✓ Tare function (Option)
- ✓ Supply 115/230VAC or 24VDC

OC557 Series are 5-digit programmable multi-function indicator/controllers with 57mm green, red or yellow seven segment displays. The instruments are designed for connection to process input signals such as 0/4-20mA, and optionally 60mV to 300VDC or true RMS, RTD Sensors, Thermistors, Resistors, Potentiometers, Thermocouples and other industrial signal sources.

With programming keys behind the front lens, the measured input signal can be scaled to any two desired display values, such as 4...20mA=0...18500. As well as the display scaling, the menu parameters also configure the two set-points, averaging filter, sampling rate and display resolution. Access to the menu can be locked with a password.

The service menu *HtESt* enables the instrument's performance and calibration to be checked.

Two Set Points can be set within the entire display range. They activate two open collector transistors or two mechanical relays. The set points have adjustable hysteresis.

Peak & Valley memory stores the maximum and the minimum display readings. These values can be displayed by pressing the UP and DOWN keys. The ACK key clears the memory.

Digital Filter can be used to smooth noisy signals and calculates the average value of up to 99 measurements prior to them being displayed.

Tare Function can be activated by a key, or with an external control signal, to zero the display value. The Tare value remains stored when the power is switched-off. It can be cancelled at any time and then the display returns to showing the non-tare input signal.

Password is used to prevent unauthorised access to the menu parameters. Without the password only the set points can be programmed.

Excitation Voltage is provided to supply external sensors.

Bluetooth Configuration is optional. It enables the Menu Parameters to be set remotely by a PC. Measured values can also be downloaded from the instrument to different Windows® PC programs.

SPECIFICATIONS

INPUTS and RANGES

Voltage

± 20mV to 300V DC or true RMS

Current

0/4-20mA to 5A DC or true RMS

Pt-100

2, 3 or 4-wire

Thermistors

2kΩ or 96kΩ,

DIN Thermocouples

J, K, R,S, B, N, T, E

Cold Junction

Compensation 0 to 99°C.

Resistance

0-1 Ω to 0-100 kΩ.

2 or 4-wire connections

Potentiometer

Excitation 1.25V

ACCURACY

DC Ranges

± (0.01% of reading + 1 digit)

True RMS 50Hz to 5kHz

± (0.1% of reading + 2 digits)

Temperature

Pt-100/200: ± (1°C + 1 Digit)

T/C, Thermistor: ± (2°C + 1 Digit)

A-D CONVERSION

Resolution

16-bit.

Measuring Rate

1 to 10 samples/sec

Linearity

± (1 LSB + 1 digit).

Temperature Coefficient

10 ppm/°C

TARE (Option)

Tare function (activated by key or external signal) sets the display to zero. The Tare value remains stored when the power is switched-off. The display will return to the non-tare value when Tare is cancelled.

FILTER

Programmable 0, 1 to 99 readings.

SET POINTS (Option)

Open Collector: 60V, 100mA.

Two changeover relays: 5A, 230VAC

DISPLAY

-9999 to 99999, red, green or yellow 7 segment LEDs with decimal point. Digit size 57 mm.

POWER SUPPLY

Mains:

115V/230V ± 10%, 48 - 60 Hz.

DC Supply: 18-36VDC (Option).

DIN-SIZE CABINET

288 x 96 x 85 mm (WxHxD).

Panel cut-out 282 x 90 mm.

Pluggable screw terminals.

EXCITATION VOLTAGE

12V/40mA for external sensors.

ENVIRONMENT

Working Temperature: 0 to 60°C.

Storage: -10 to 85 °C.

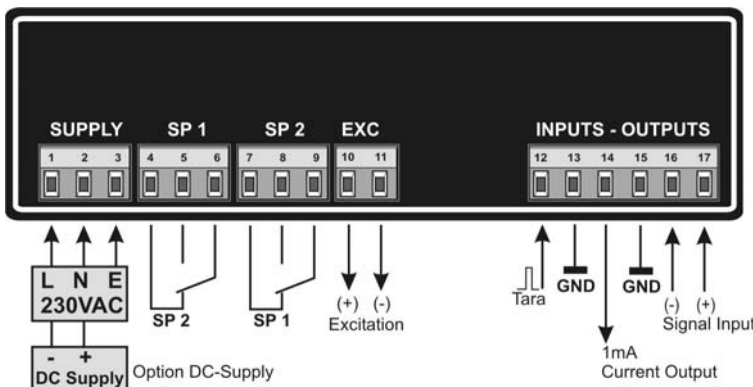
EMC

EN 61000-3-2+A12

EN 61000-4-2, 3, 4, 5, 8, 11

EN 550222, A1, A2

CONNECTIONS



HOW TO ORDER

OC557 -	X -	X -	X -	X
Display red	R			0 --- No Set Points
Display green	G			1 --- 2 Transistors
Display yellow	Y			2 --- 2 Relays
Input DC Voltage	1		0	----- Mains 115VAC
DC Current	2		1	----- Mains 230VAC
AC Voltage	3		2	----- DC 18-36V DC
AC Current	4			
Thermocouples	5			
Resistors	6			
Potentiometers	7			
Thermistors	8			

© Aug 2010